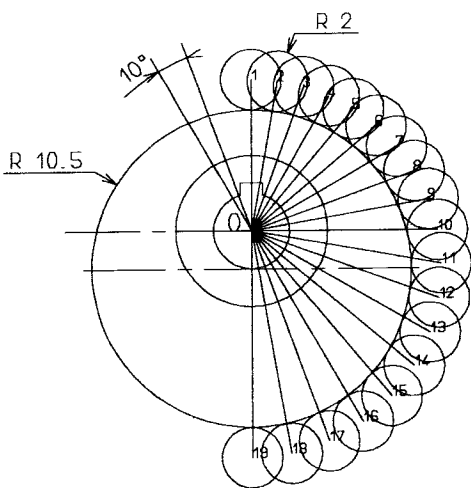
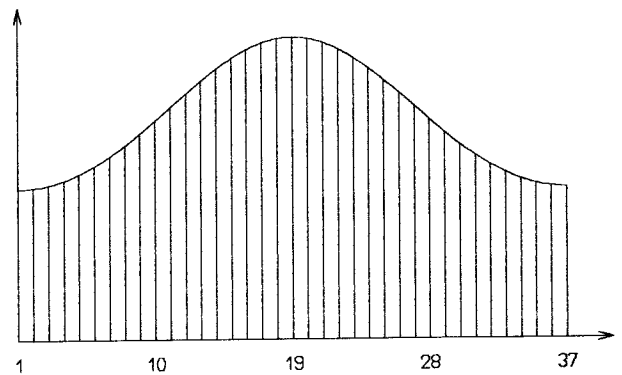
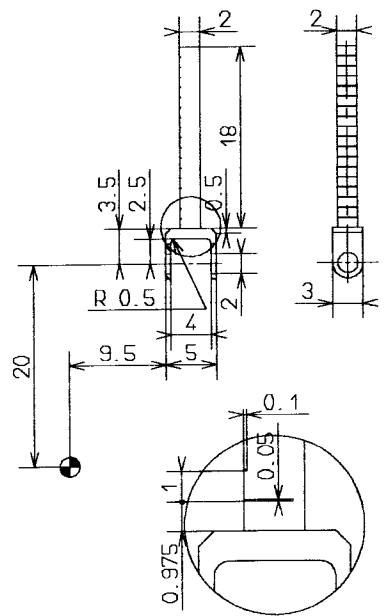
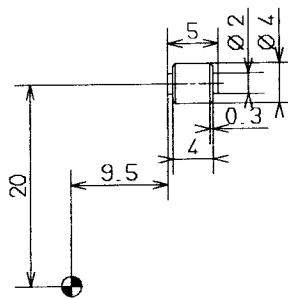
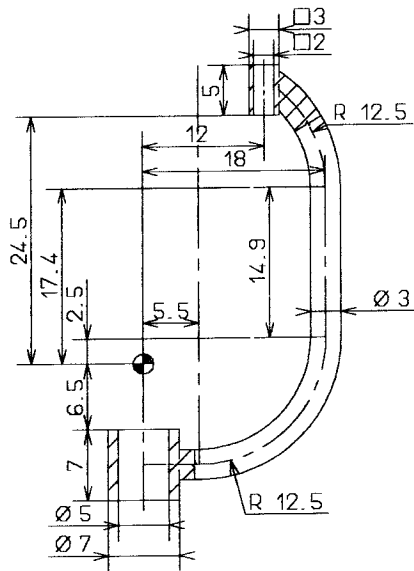
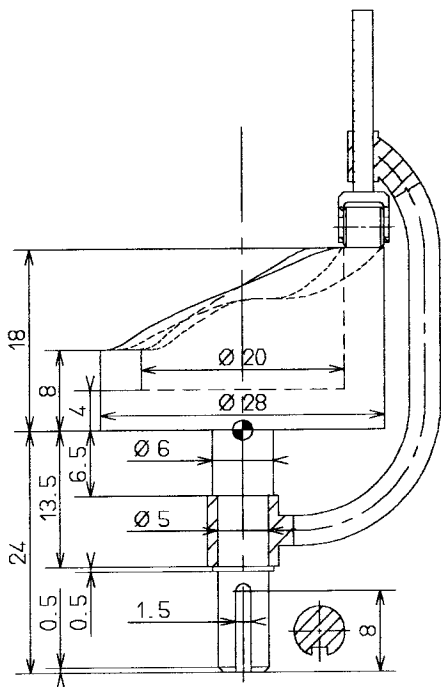


Came E Ech 3:1

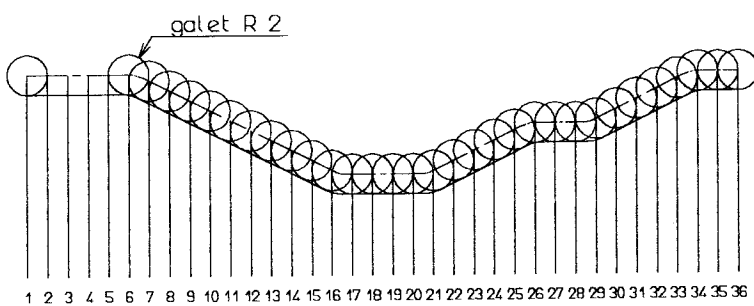


01	10
02	10,0304
03	10,1214
04	10,2722
05	10,4812
06	10,7454
07	11,061
08	11,4222
09	11,821
010	12,2475
011	12,6892
012	13,1324
013	13,561
014	13,9495
015	14,3114
016	14,6024
017	14,82
018	14,9544
019	15

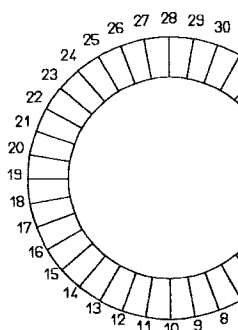




Came T

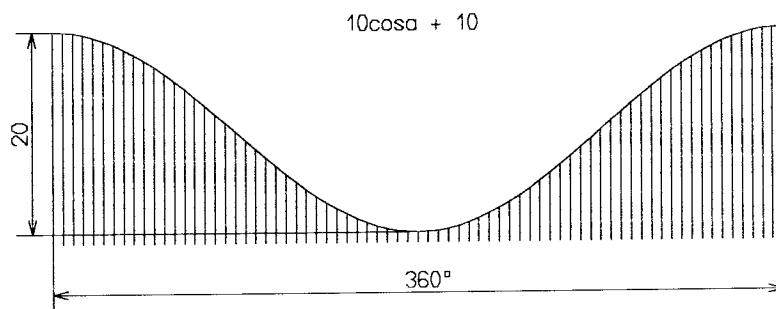
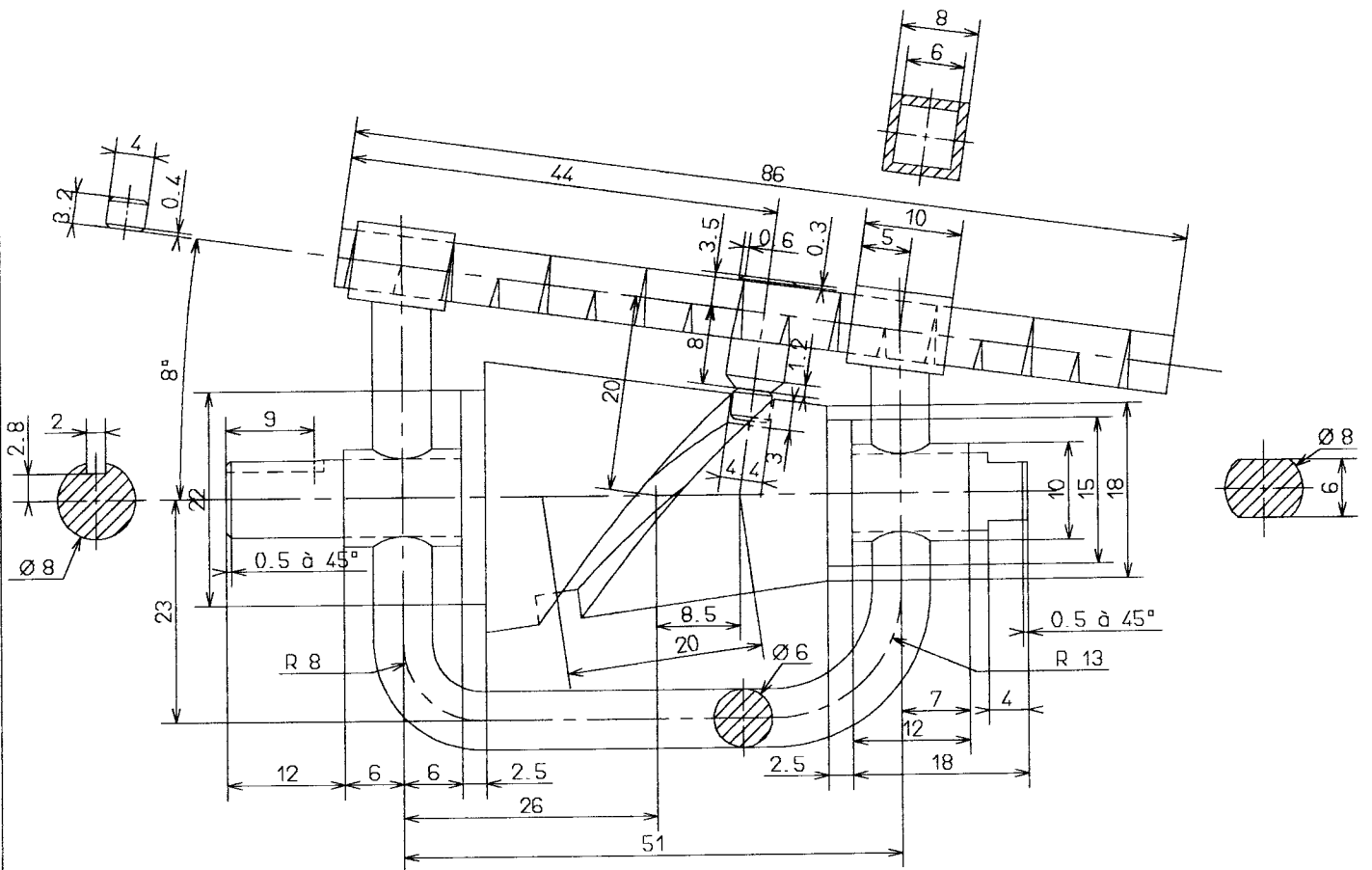


Longueur développée du chemin de came : 74,57mm

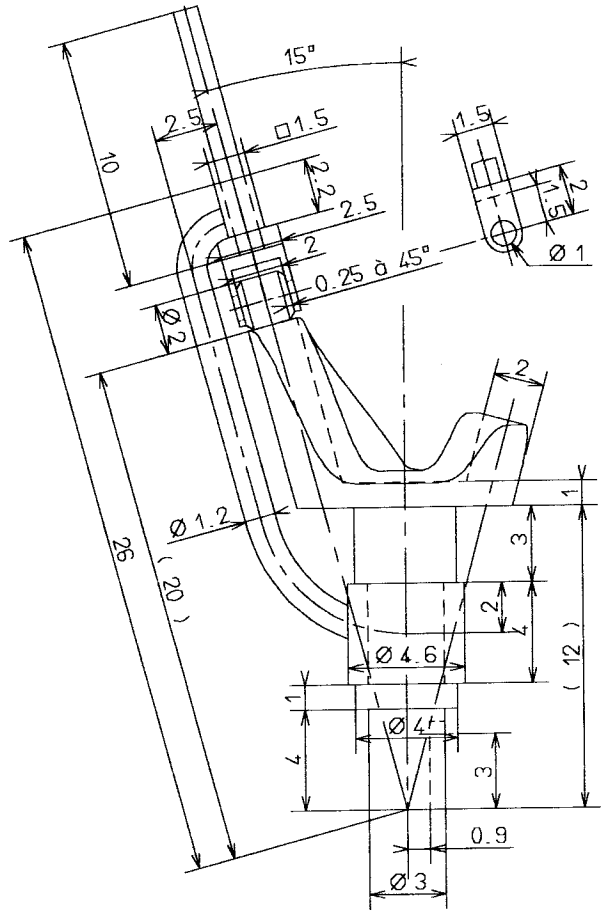
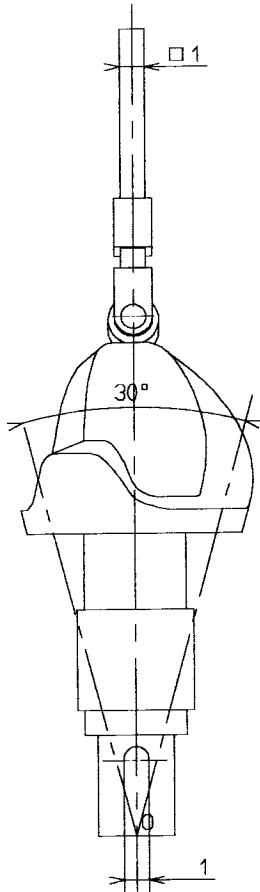


1	18	20
2	18	20
3	18	20
4	18	20
5	18	20
6	17.985	19.9926
7	17.114	19.35
8	16.114	18.35
9	15.114	17.35
10	14.114	16.35
11	13.114	15.35
12	12.114	14.35
13	11.114	13.35
14	10.114	12.35
15	9.1139	11.35
16	8.1756	10.35
17	8	10
18	8	10
19	8	10
20	8	10
21	8.1464	10.3
22	9.0639	11.3
23	10.064	12.3
24	11.064	13.3
25	12.064	14.3
26	12.9702	14.9852
27	13	15
28	13	15
29	13.1578	15.32
30	14.084	16.32
31	15.084	17.32
32	16.084	18.32
33	17.084	19.32
34	17.9768	19.9884
35	18	20
36	18	20
	Surface Came	Position Galet

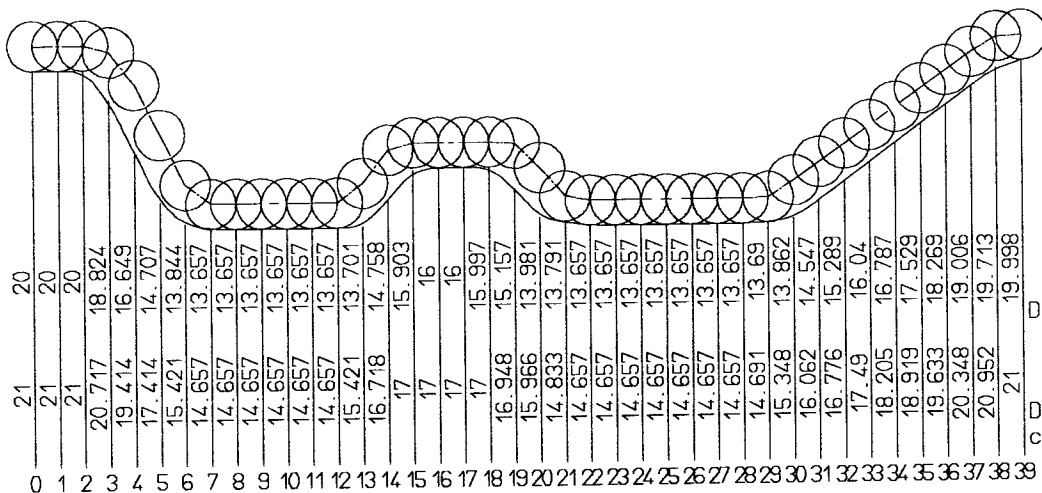
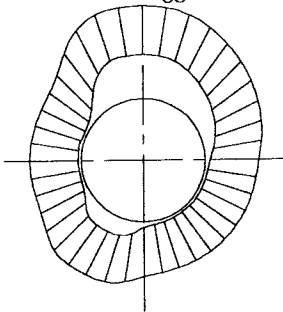
Came T



CAME B



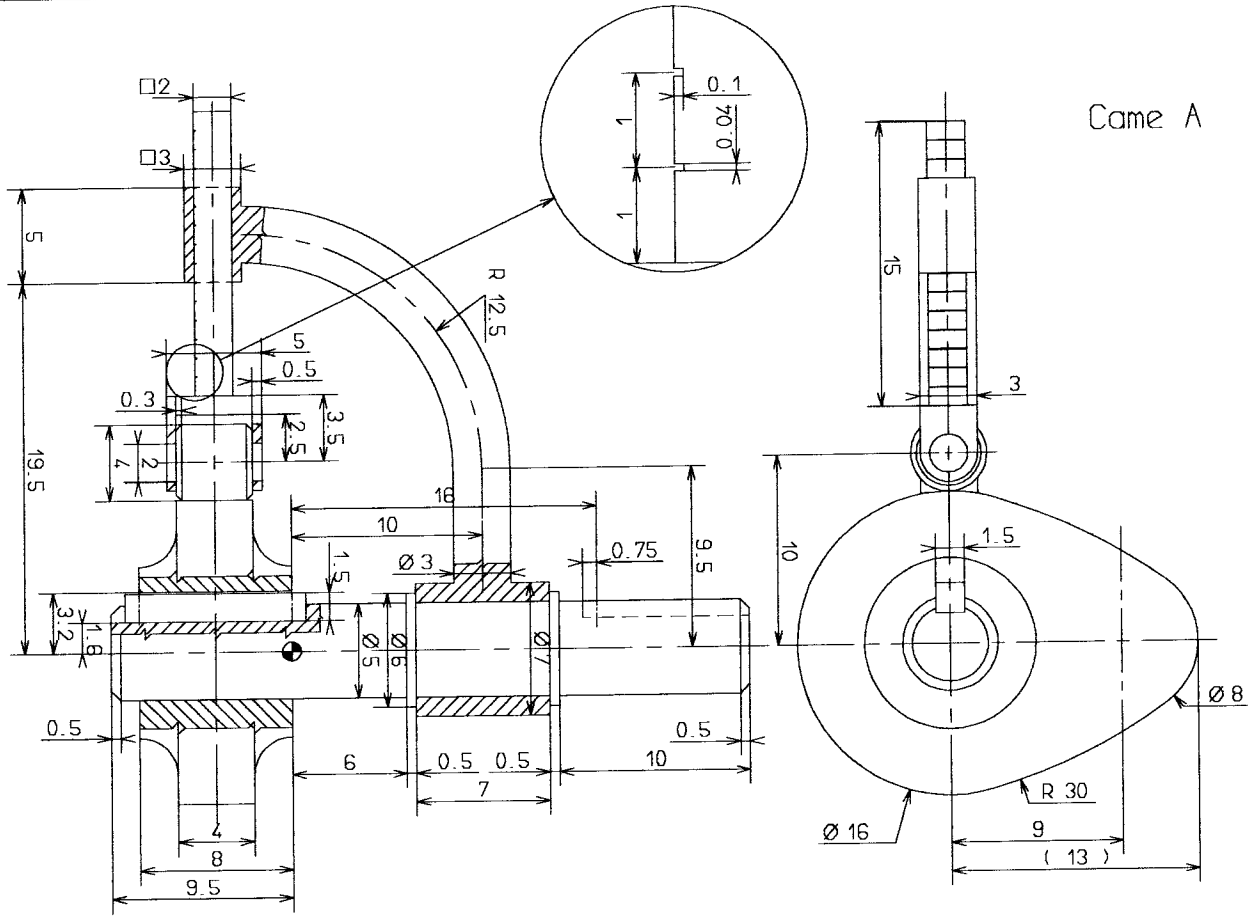
1 0 39



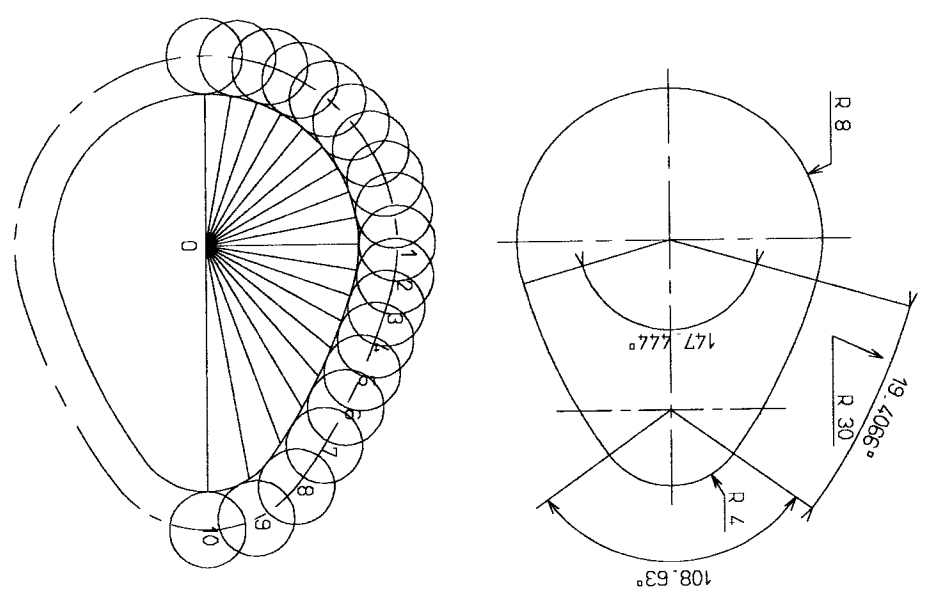
Distance de 0 à la surface

Distance de 0 au centre du galet

Images

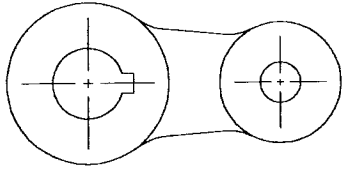
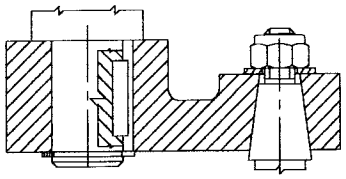


Came A

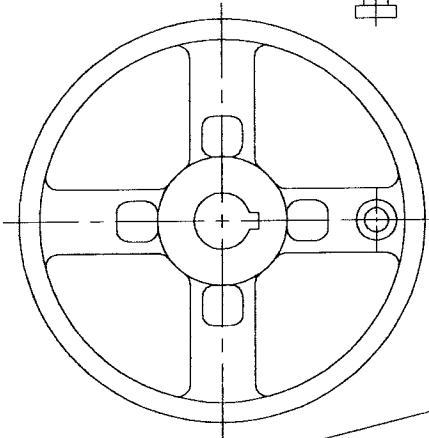
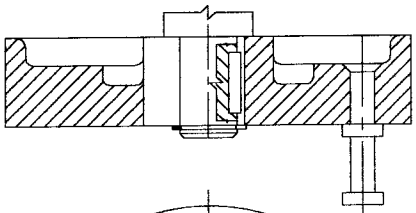


- 01 10
- 02 10,0414
- 03 10,0146
- 04 10,1996
- 05 10,6106
- 06 11,2792
- 07 12,257
- 08 13,8074
- 09 14,6562
- 010 15

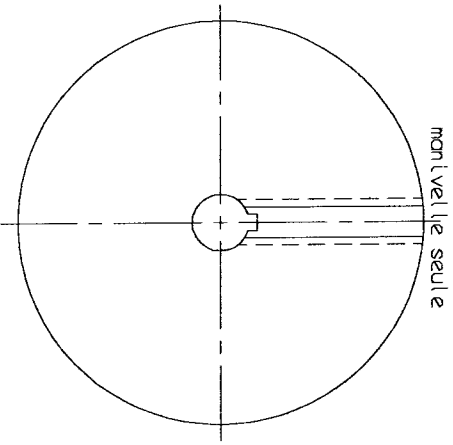
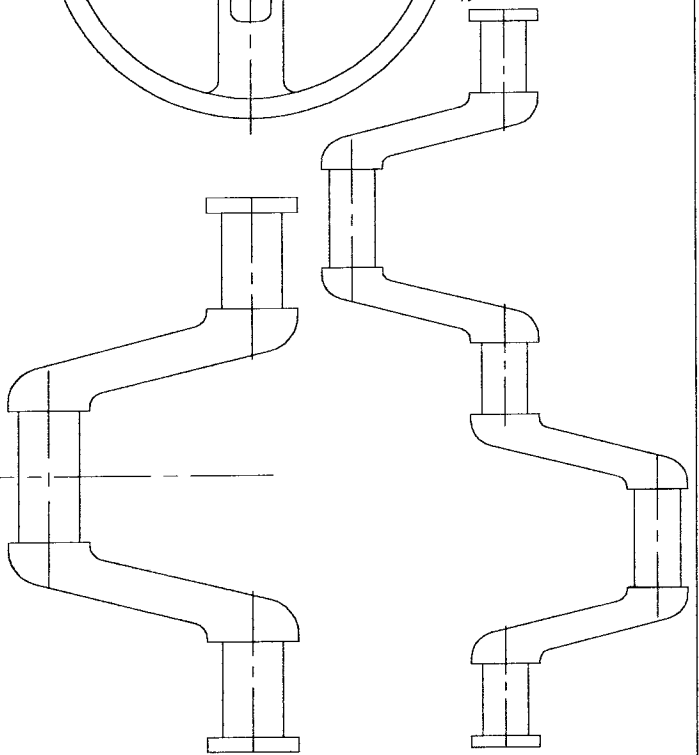
Came A



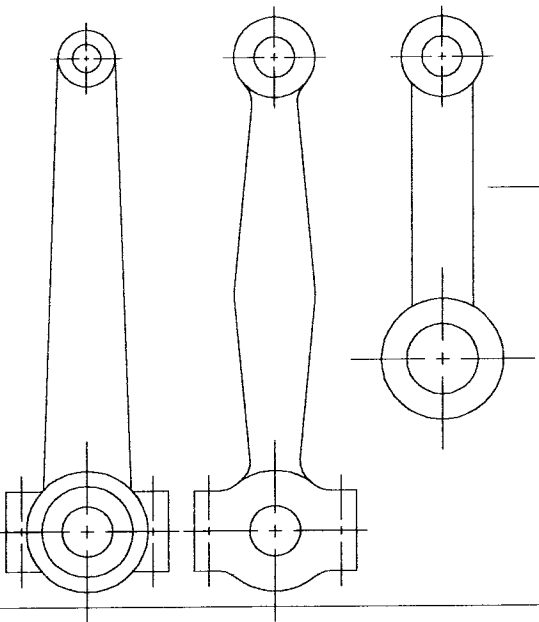
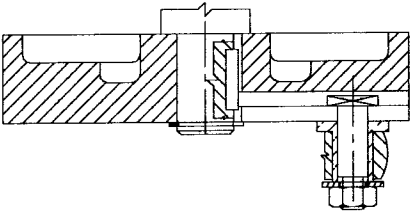
manivelle seule



manivelle seule



manivelle seule



Ech:	Lycée J. Curie Dammarie les lys
N°	BIELLE-MANIVELLE