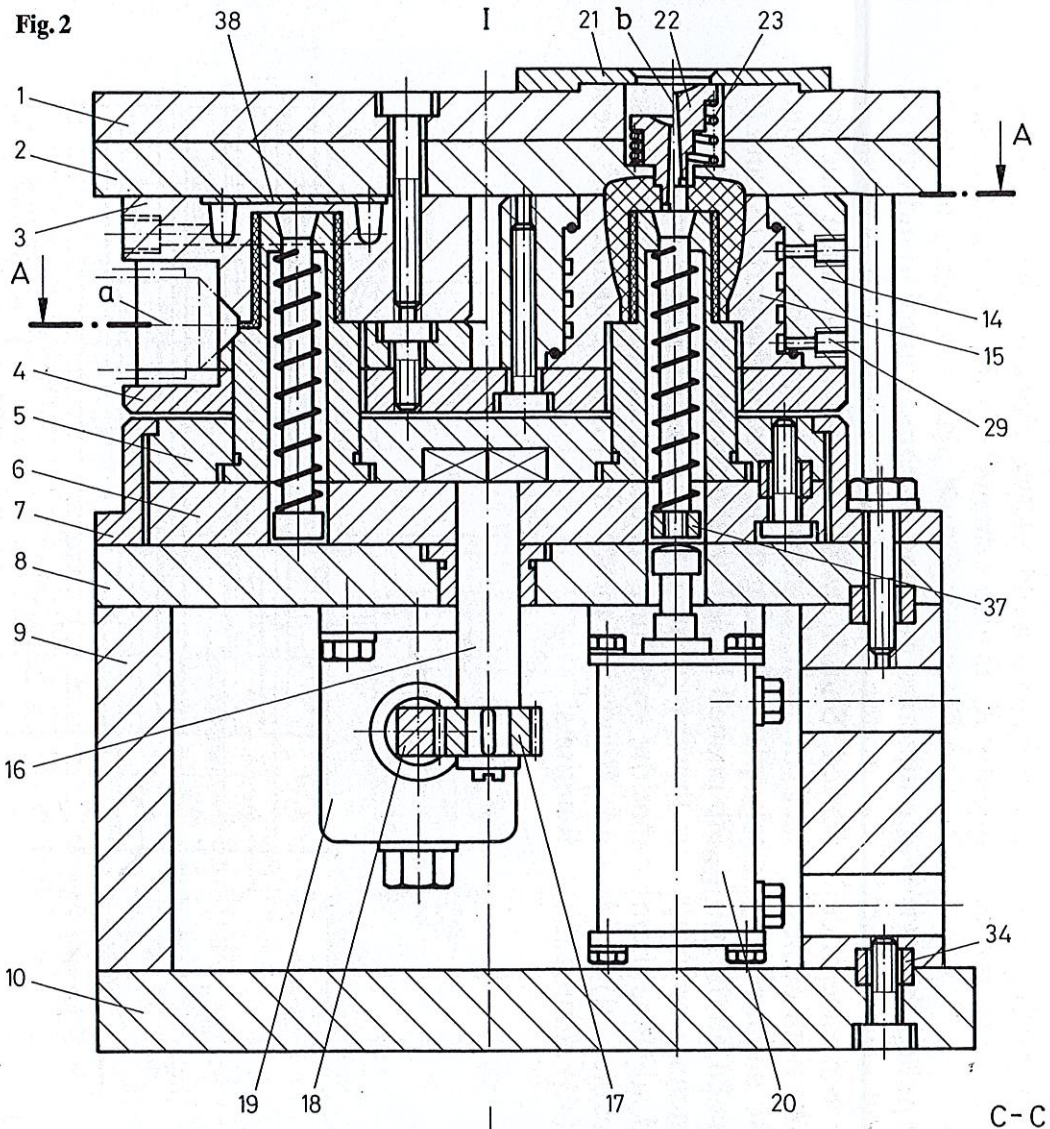


B-B



C-C

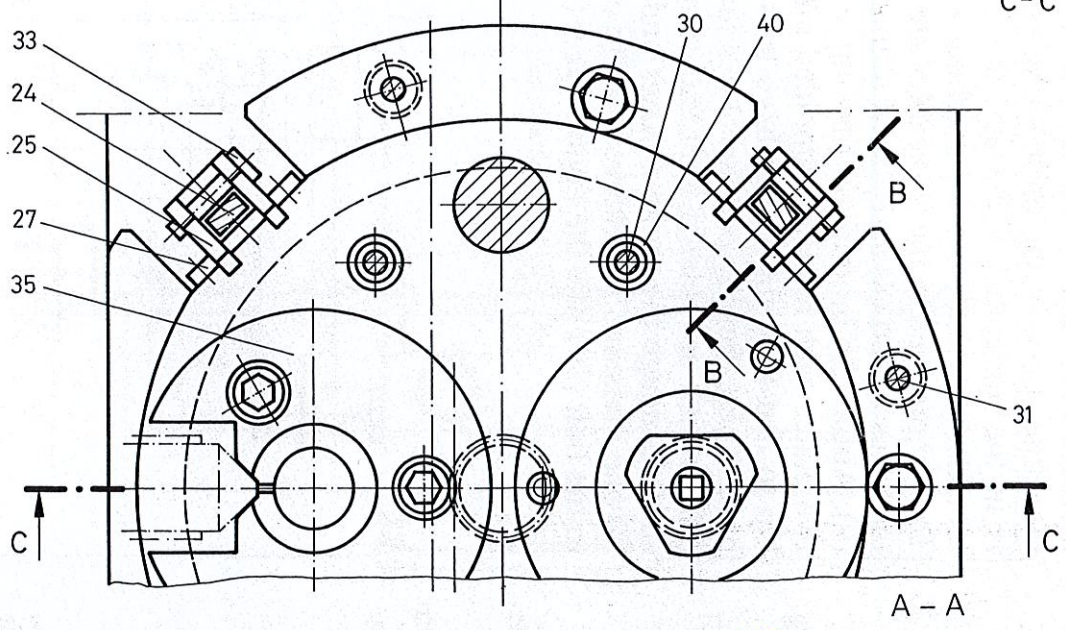
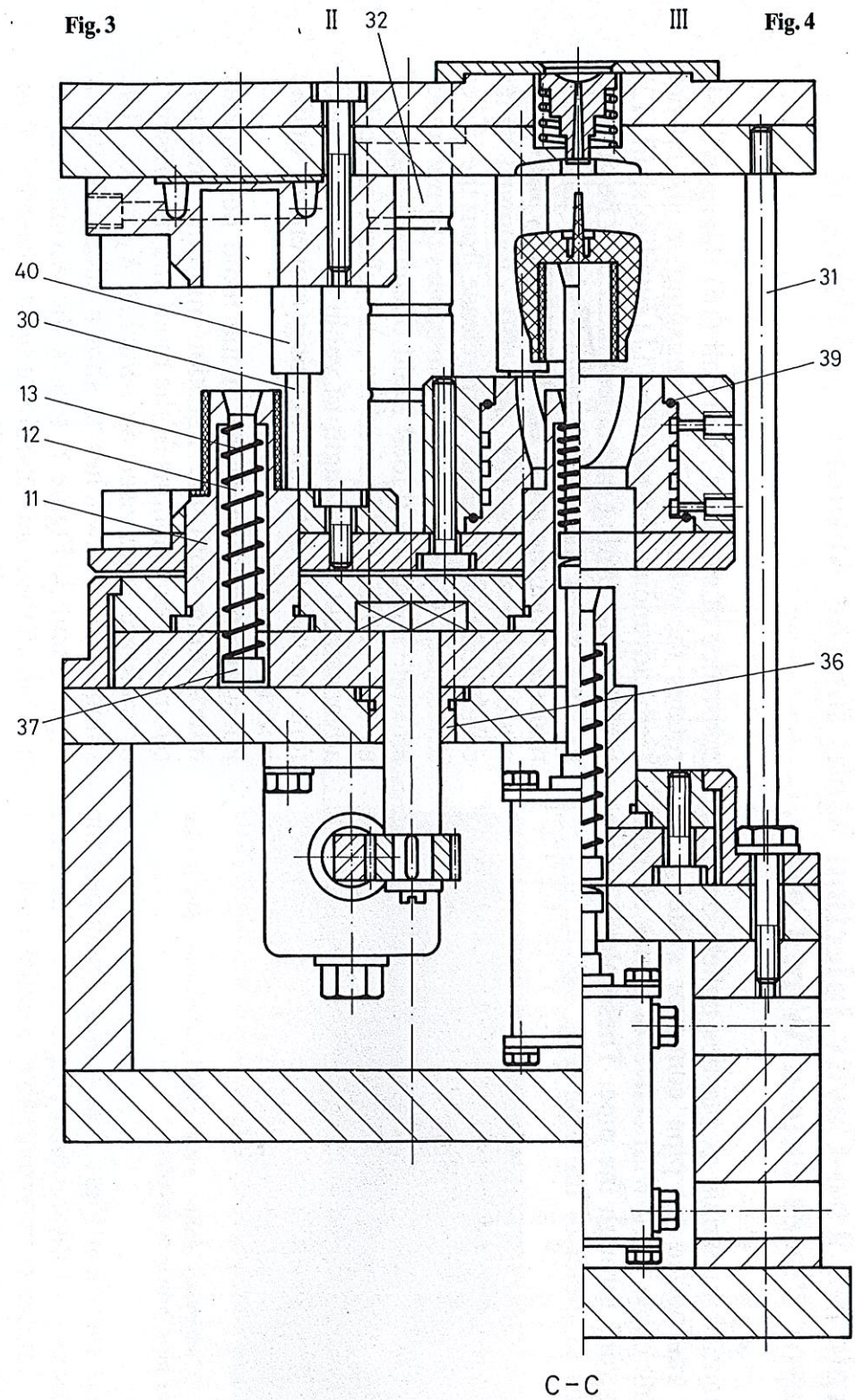


Fig. 5



C-C

Example 87: Two-Cavity Mold for Water Tap Handles

-5-